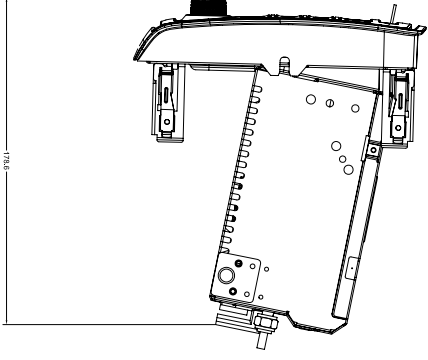
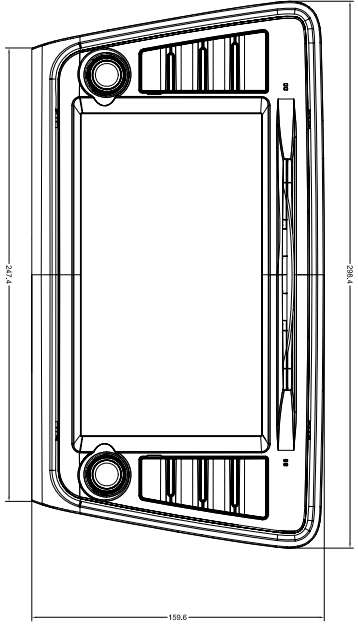
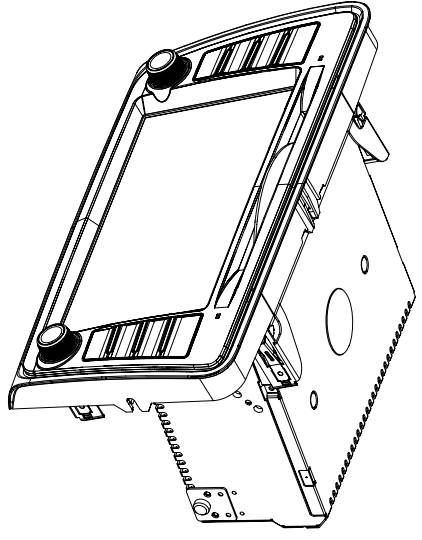
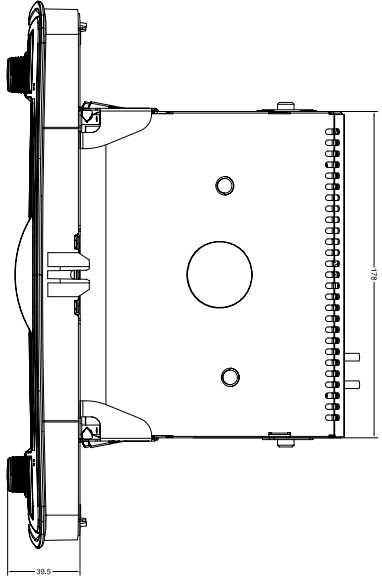


REV.	NO.	ZONE	REASONS	DATE	CHK	APPD



- * NOTICE:
1. U.O.S. GEN. TOLERANCES ± 0.1 , ANGLE ± 0.3 (PLASTIC).
 2. ALL CORNERS SHOULD BE R0.3 UNLESS SPECIFIED(PLASTIC).
 3. ALL BENDINGS ARE 90° UNLESS SPECIFIED(METAL).
 4. NO SCRATCH AND DEFORMED ON THE SURFACE OF THE PRODUCT.
 5. DO NOT SCALE DRAWING.

未注尺寸公差表

未注尺寸公差表		W INCA DIGITAL TECHNOLOGY CO.,LTD	
尺寸范围	公差值	DESCRIPTION:	
3---20MM	0.10MM	MODEL:	
20---40MM	0.15MM	MATERIAL/COLOUR:	
40---100MM	0.20MM	FINISH:	DRN. BY:
100MM以上	0.25MM	Q'TY: SCALE: 1:1	APP. BY:
		FILE NAME:	DATE:
		PART NO.:	ISS UNIT: $\frac{mm}{mm}$
			$\frac{mm}{mm}$

